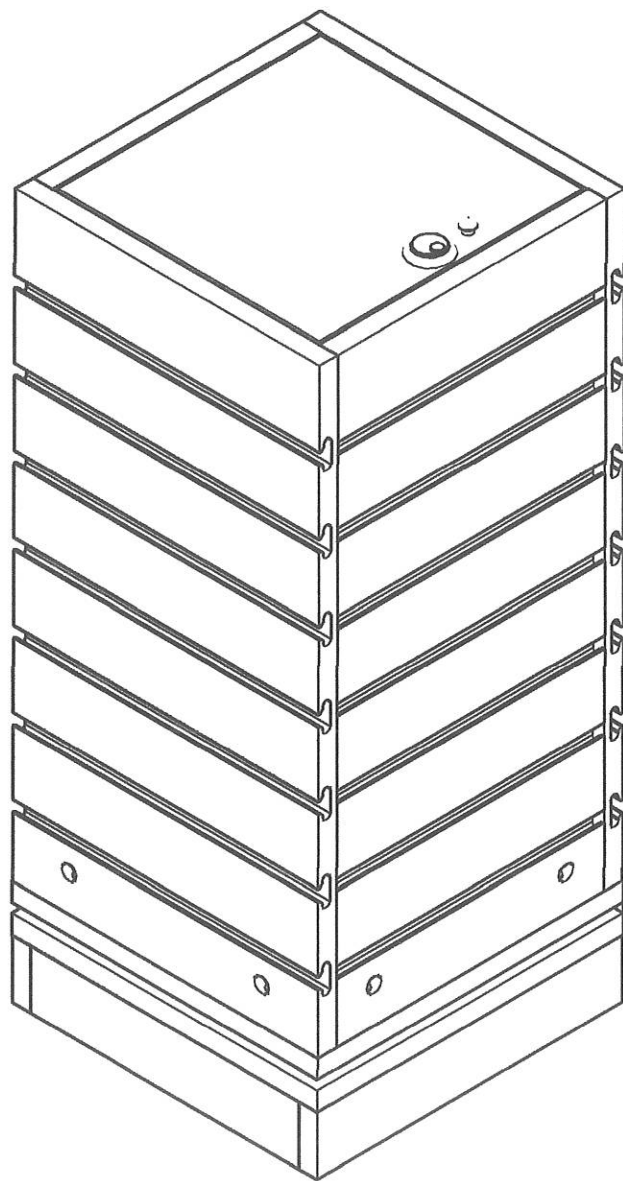


ASSEMBLY INSTRUCTION

88725



x24



x24



x4



x8



x1



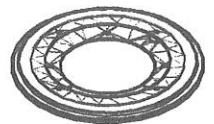
x1



x1

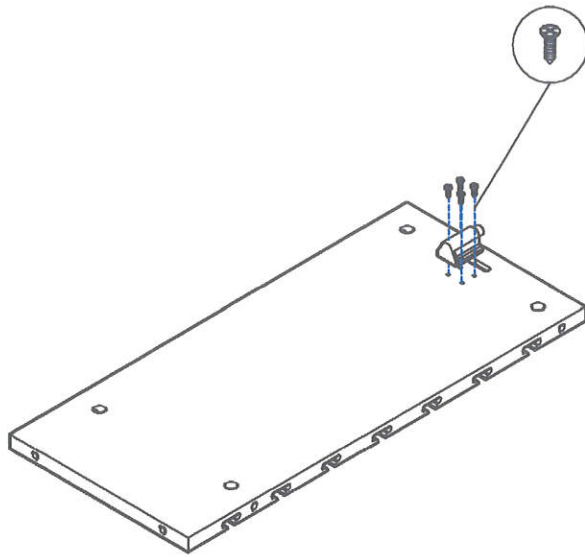


x1

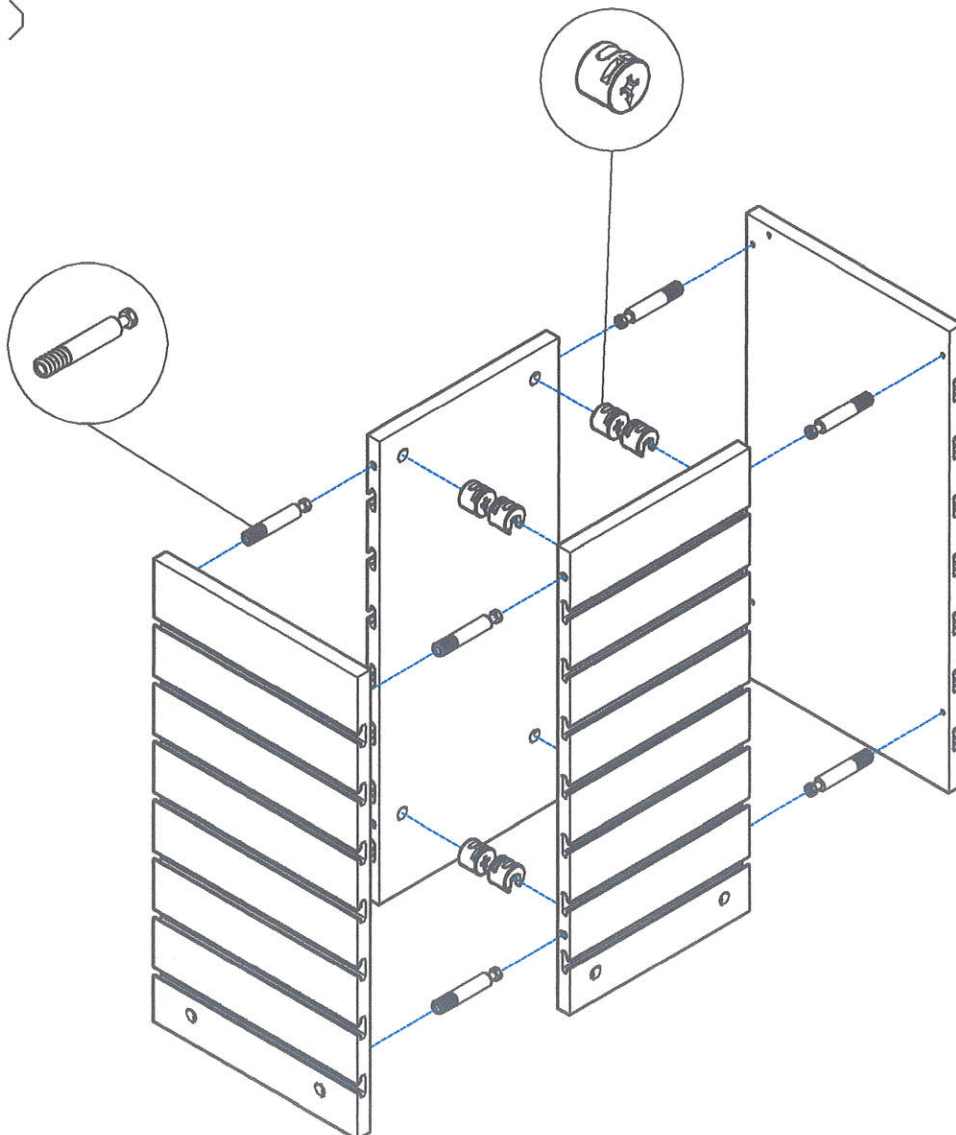


x1

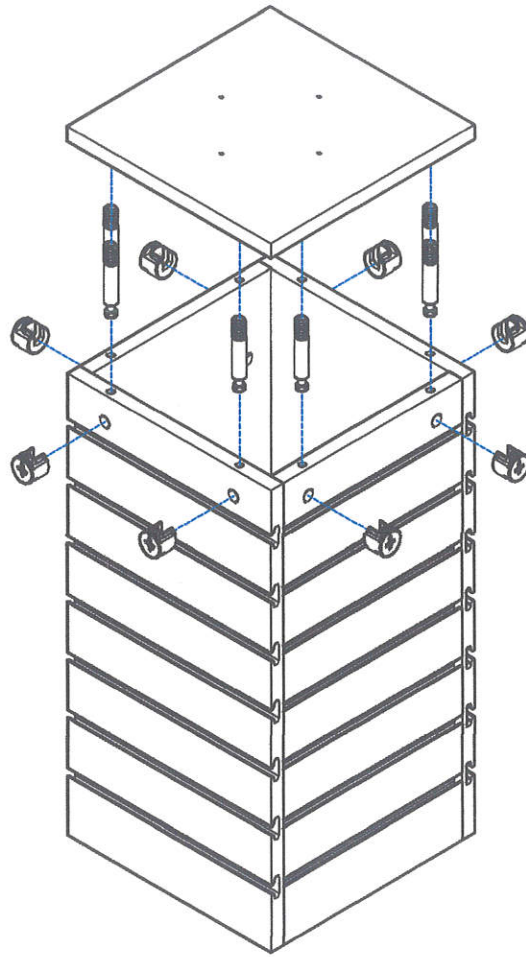
(1)



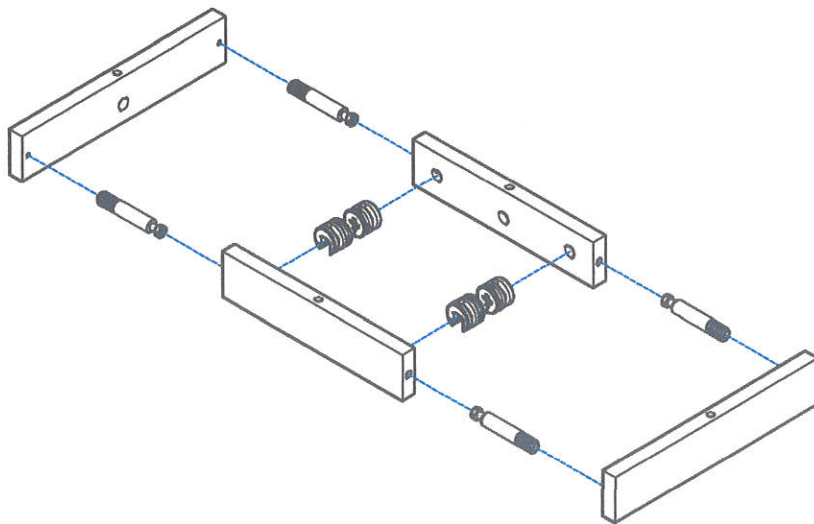
(2)



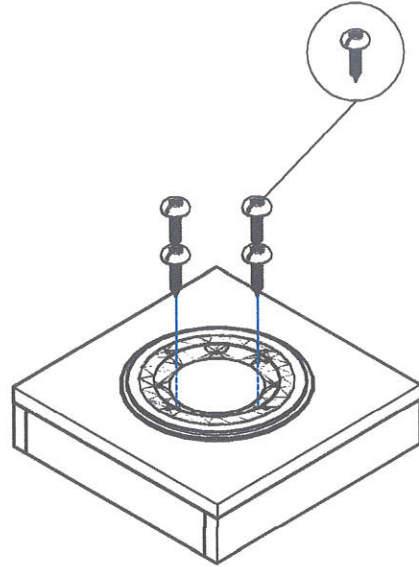
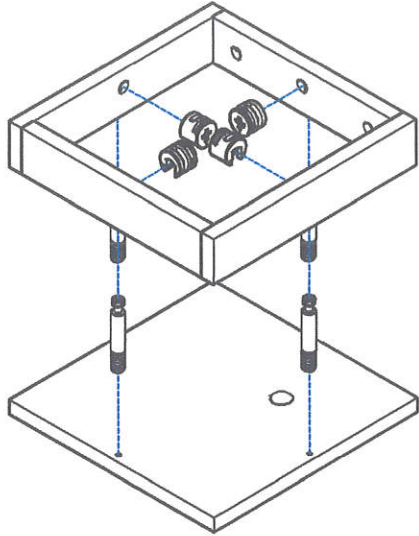
(3)



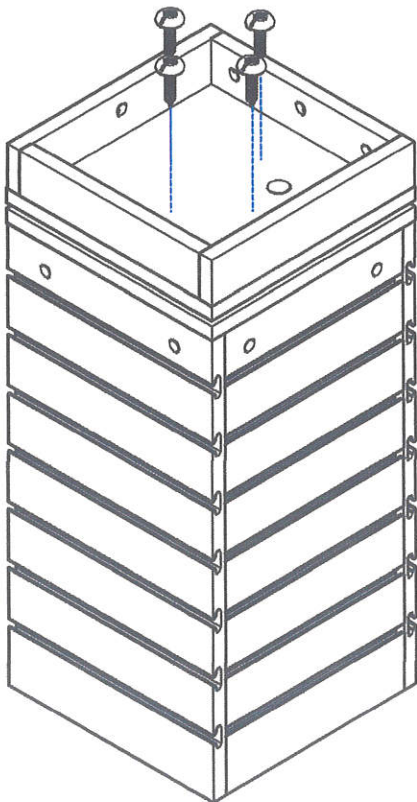
(4)



(5)



(6)



(7)

